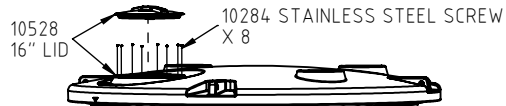
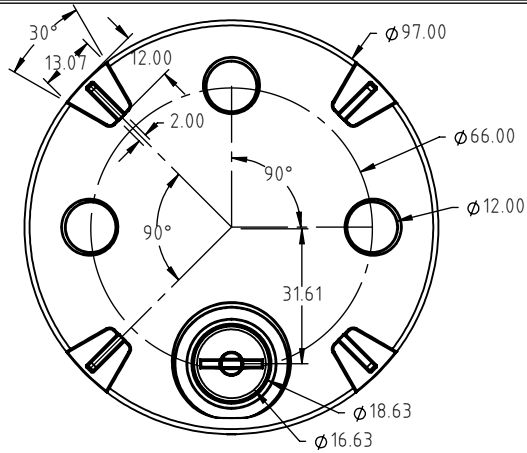
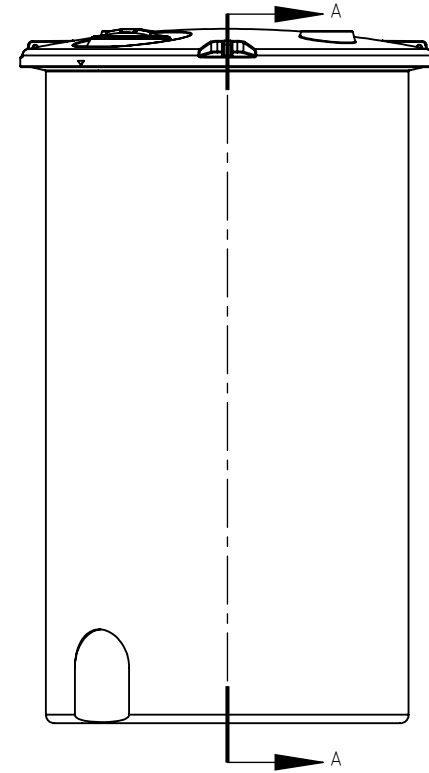
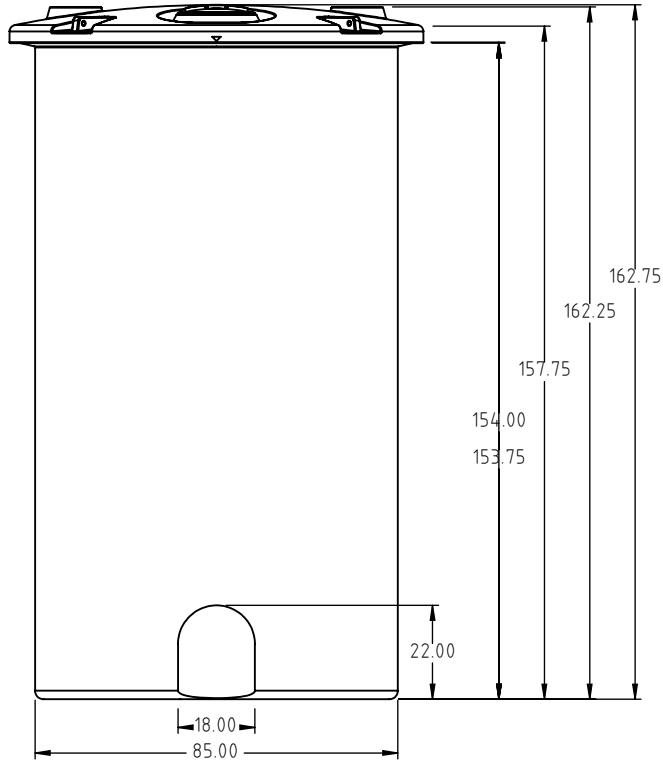


Copyright. All information furnished within this document, electronic file or design correspondence is the property of Den Hartog industries, Inc. and shall not be used, disclosed to others or copied without the expressed written consent of Den Hartog Industries, Inc.



A



SEE SHEET  
2 OF 2 FOR  
DETAILS

DRAWN / DATE ADH 3/11/2014		MATERIAL : 10420	
APPRD. / DATE REH 6/12/2019		NOTES: 1.) 0.410 NOM WALL THICKNESS 2.) PATENT 9,162,816	
SHOT WEIGHT: 900 LBS		SHIPPING WEIGHT: 902 LBS	
FINISH:			

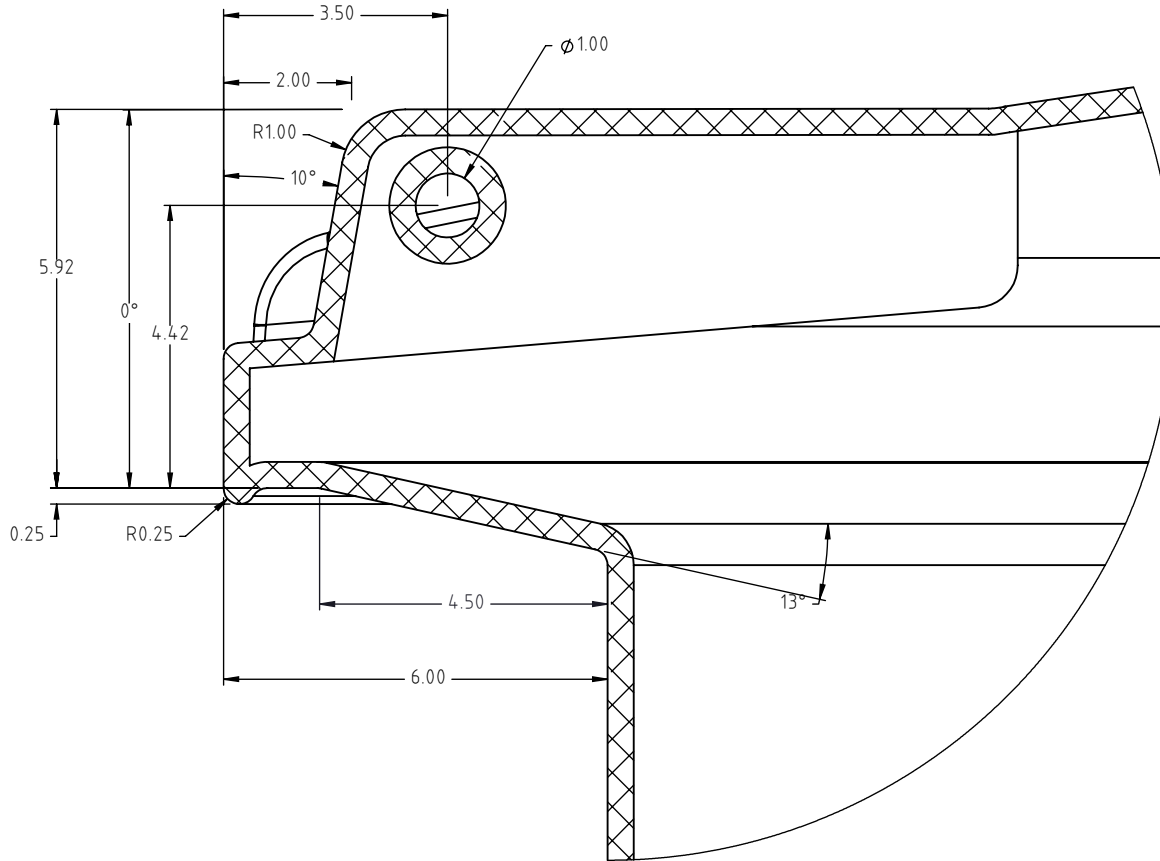


**Den Hartog  
INDUSTRIES, INC.**

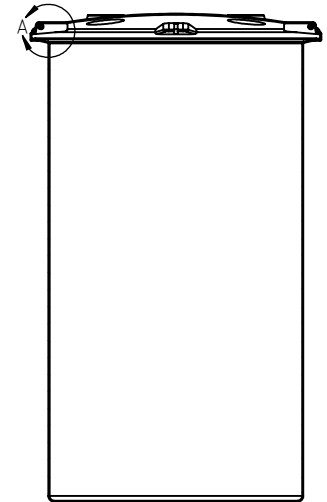
Ace Roto-Mold • Injection Molding • Blow Molding • Sowjoy  
4010 HOSPERS DRIVE S. BOX 425, HOSPERS, IOWA 51238-0425

A	REMOVE FITTING LOCATION AND UPDATE TEMPLATE	BES	4/21/22	4283
REV.	DESCRIPTION	BY	DATE	CCN
ALL DIMENSIONS ARE IN DECIMAL INCHES TOLERANCES UNLESS OTHERWISE SPECIFIED		THIRD ANGLE PROJECTION ANSI 14.5M		
POLYETHYLENE ±1% @ 68°F		METAL DECIMAL ± .125" FRACTION ± 1/4" ANGLE ± 1°		

DESCRIPTION 3500 GALLON DUAL LINE TANK - INNER TANK		SHEET 1 OF 2	
SCALE N.S.	PART NO. DW3500-102-1		



DETAIL A  
SCALE 1 : 3



SECTION B-B

DRAWN / DATE ADH 3/11/2014	MATERIAL : 10420
APPRD. / DATE REH 6/12/2019	
SHOT WEIGHT: 900 LBS	NOTES:
SHIPPING WEIGHT: 902 LBS	1.) 0.410 NOM WALL THICKNESS
FINISH:	2.) PATENT 9,162,816



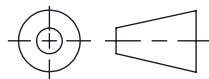
**Den Hartog  
INDUSTRIES, INC.**

Ace Roto-Mold • Injection Molding • Blow Molding • Sowjoy  
4010 HOSPERS DRIVE S. BOX 425, HOSPERS, IOWA 51238-0425

DESCRIPTION 3500 GALLON DUAL LINE TANK - INNER TANK		
SCALE N.S.	PART NO. DW3500-102-1	SHEET. 2 OF 2

ALL DIMENSIONS ARE IN DECIMAL INCHES  
TOLERANCES UNLESS OTHERWISE SPECIFIED

THIRD ANGLE PROJECTION  
ANSI 14.5M



POLYETHYLENE  
±1% @ 68°F

METAL  
DECIMAL ± .125"  
FRACTION ± 1/4"  
ANGLE ± 1°